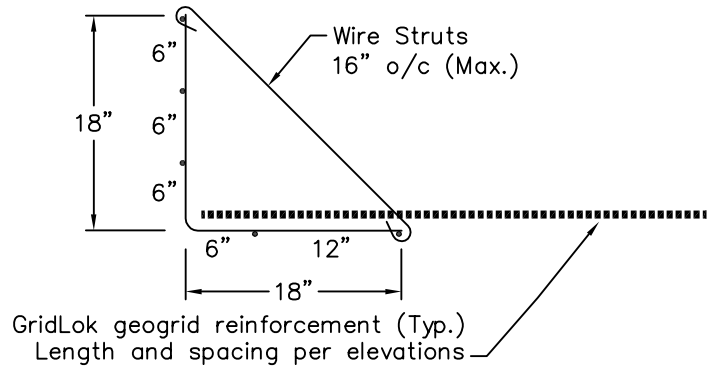
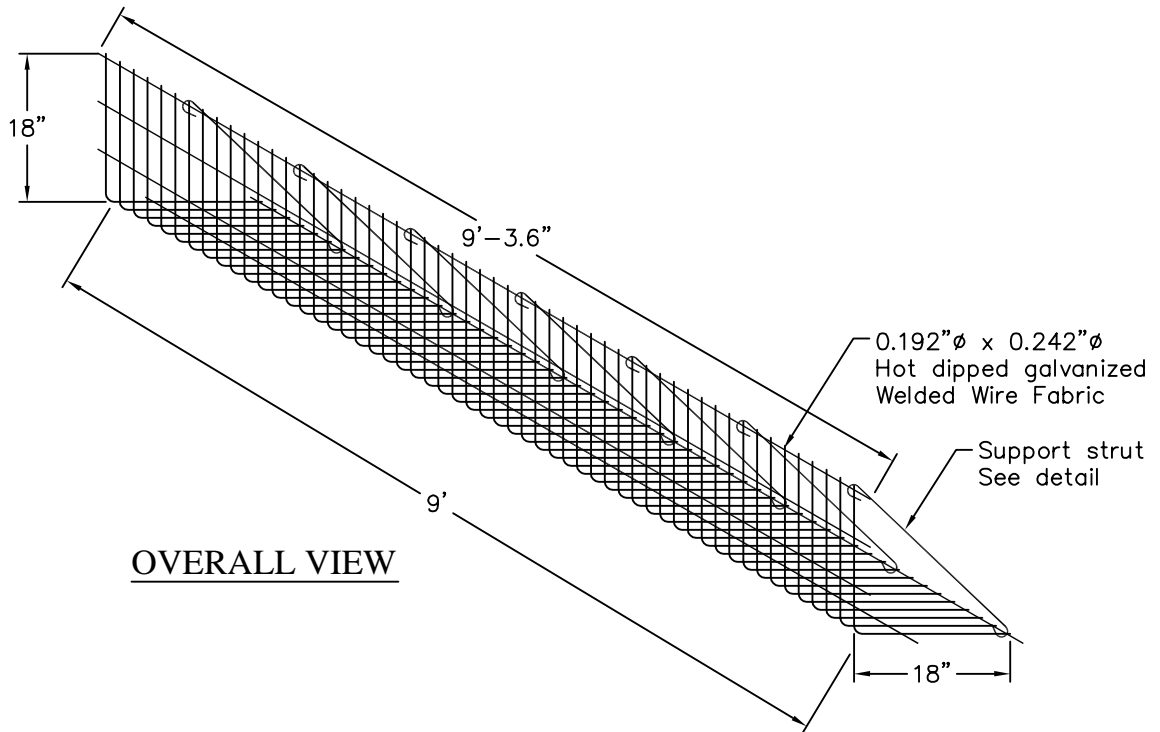


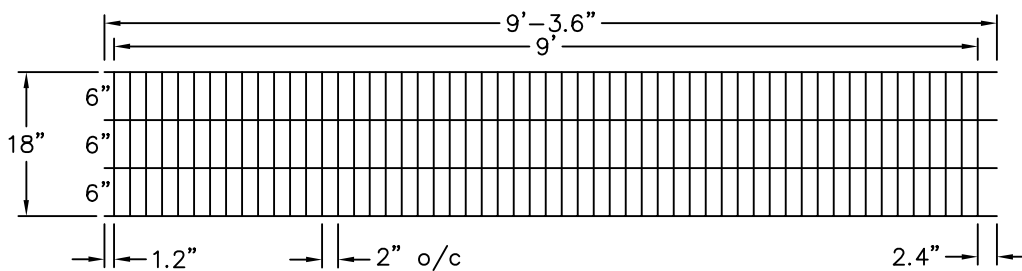
SUPPORT STRUT



FACING CROSS SECTION



OVERALL VIEW



FACING DETAIL, FRONT VIEW



RidgeRock  
Retaining Walls, LLC  
P.O. Box 241233  
Charlotte, NC 28224  
704-504-3358  
Fax: 504-3038

**RIDGESCAPE ROCK FACING DETAILS**

**RIDGESCAPE DETAIL**

ridgescape  
FILE

1 of 1  
SHEET NO.

11.22.21  
DATE