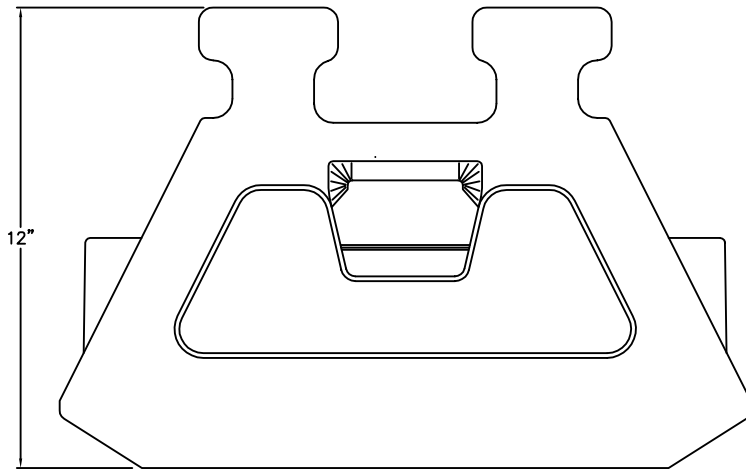
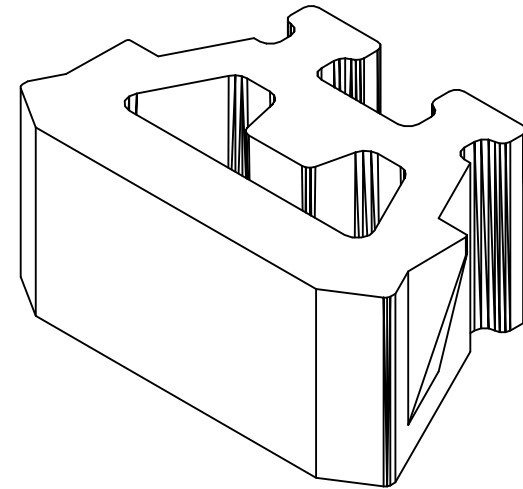
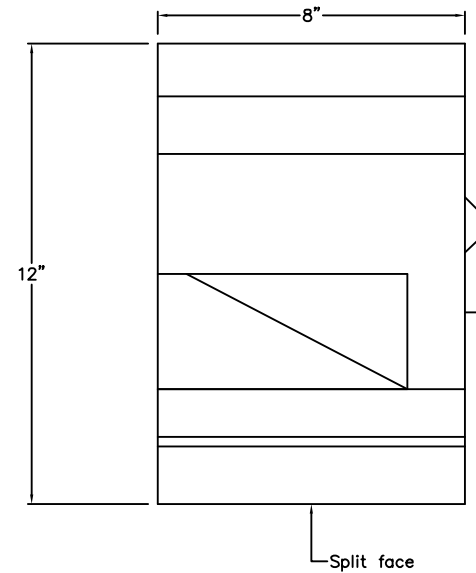


REAR VIEW



TOP VIEW



SIDE VIEW

This drawing contains proprietary information and confidential information and shall not be used, copied or disclosed without written permission from RidgeRock Retaining Walls Inc. Protected under U.S. and foreign copyright and patent law. All rights reserved.



RidgeRock
Retaining Walls, LLC
P.O. Box 241233
Charlotte, NC 28224
704-504-3358
Fax: 504-3038

PRODUCT:

RIDGEROCK BEVELED FACE

DRAWING SET:

RIDGEROCK PLUS DETAILS

REVISION DATE:

9.12.23

UNITS:

Inches

SHEET #:

1 of 1

DRAWING NAME:

beveled face.dwg